

Coolstore

Order Code	Description	Mass (Kg/m)	Perimeter (mm)	Length (m)
22-10020	40mm Internal Angle	0.325	160	5.0
22-10040	50mm Internal Angle	0.400	197	5.0
22-10060	40mm External Angle	0.325	160	5.0
22-10080	50mm External Angle	0.397	196	5.0
22-10100	51mm x 25mm Capping Channel	0.397	196	5.0
22-10180	76mm x 38mm Capping Channel	0.616	304	5.0
22-10190	101mm x 38mm Capping Channel	0.718	354	5.0
22-10200	54 x 45 x 30mm Odd leg channel	0.511	255	5.0
22-10220	79 x 45 x 30mm Odd leg channel	0.614	305	5.0
22-10240	104 x 45 x 30mm Odd leg channel	0.714	355	5.0
22-10260	89mm x 25mm Door Capping Channel	0.806	277	5.0
22-10280	114mm x 25mm Door Capping Channel	0.975	327	5.0
22-10300	165mm x 25mm Door Capping Channel	1.544	428	5.0
22-10380	51mm Door Jamb	0.855	302	5.3
22-10390	76mm Door Jamb	0.971	333	5.3
22-10400	101mm Door Jamb	1.117	383	5.3
22-10500	Door Jamb Seal Black	-	-	150.0
22-10600	32mm x 130mm Sliding Door Track	2.666	419	5.6
22-10620	50mm x 97.1mm Sliding Door Track	2.604	451	5.0
22-10640	75mm Bottom Sliding Door Guide	1.123	339	5.0

Finish - Mill finish & Titania
Grade - 6060 or 6063
Temper - T5

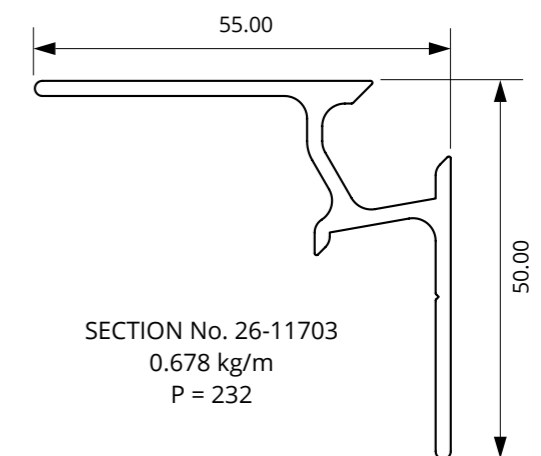
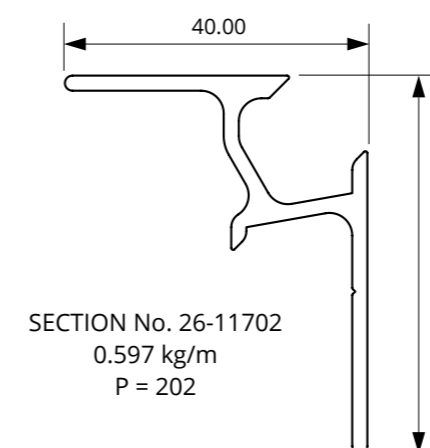
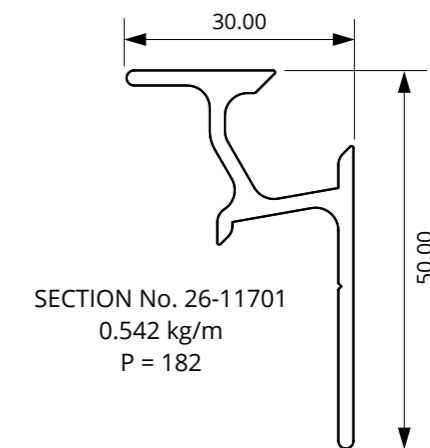
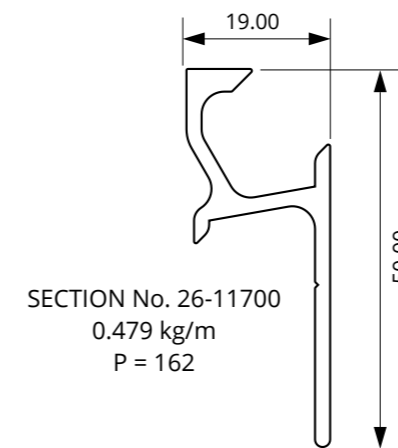
- Not all items will be available at all times - Please check with your local branch for current availability

Sill Support Bars

Order Code	Description	Mass (Kg/m)	Perimeter (mm)	Length (m)
26-11700	19 x 50mm Sill Support Bar	0.479	162	5.0
26-11701	30 x 50mm Sill support Bar	0.542	182	5.0
26-11702	40 x 50mm Sill Support Bar	0.597	202	5.0
26-11703	55 x 50mm Sill Support Bar	0.678	232	5.0
26-11704	55 x 50mm HD Sill Support Bar	0.838	227	5.0

Finish - Mill finish
Grade - 6060 or 6063
Temper - T5

- Not all items will be available at all times - Please check with your local branch for current availability

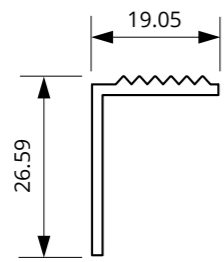


Stairtread & Nosings

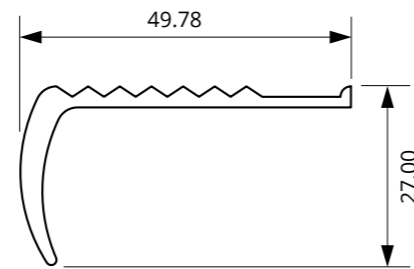
Order Code	Description	Mass (Kg/m)	Perimeter (mm)	Length (m)
27-11860	26.59 x 19.05mm Angle Serrated	0.211	100	5.0
27-11820	46.00 x 15.00mm Stair Nose Serrated	0.420	123	5.0
27-11830	28.00 x 51.20mm Step Edge	0.412	162	5.0
27-11840	27.00 x 49.78mm Serrated Step Edge	0.471	160	5.0

Finish - Mill finish
Grade - 6060 or 6063
Temper - T5

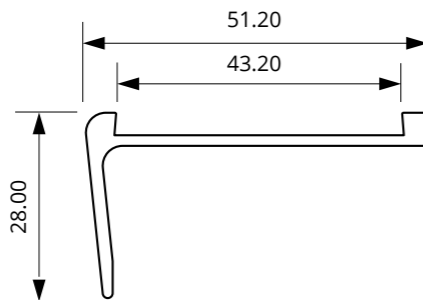
- Not all items will be available at all times - Please check with your local branch for current availability



SECTION No. 27-11860
0.211 kg/m



SECTION No. 27-11840
0.471 kg/m



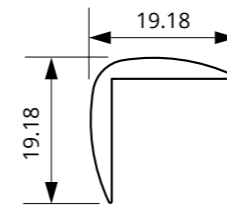
SECTION No. 27-11830
0.412 kg/m

Trims & Mouldings

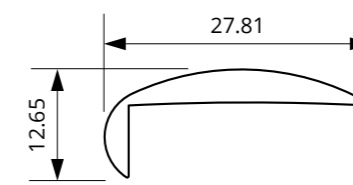
Order Code	Description	Mass (Kg/m)	Perimeter (mm)	Length (m)
28-10100	Cope Mould 19.18 x 19.18mm	0.196	100	5.0
28-10120	Cope Mould 27.81 x 12.65mm	0.292	100	5.0
28-10080	Cope Mould 34.93 x 14.29mm	0.344	100	5.0
28-10140	Drip Mould 24.00 x 12.50mm	0.149	100	5.0
28-10060	Perspex Capping 22.00 x 5.50mm	0.250	100	5.5
28-10040	Fibreglass Cap 12.70 x 3.96mm	0.172	100	5.0

Finish - Mill finish
Grade - 6060 or 6063
Temper - T5

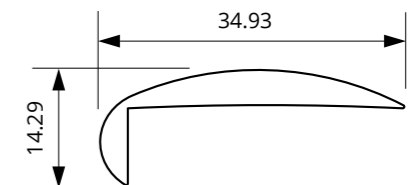
- Not all items will be available at all times - Please check with your local branch for current availability



SECTION No. 28-10100
0.196 kg/m



SECTION No. 28-10120
0.292 kg/m



SECTION No. 28-10080
0.344 kg/m

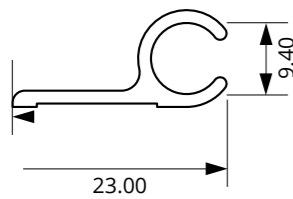


Awning

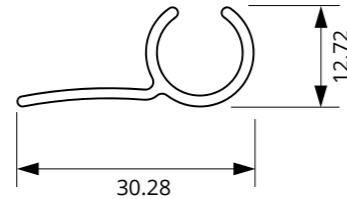
Order Code	Description	Mass (Kg/m)	Perimeter (mm)	Length (m)
29-12002	23.00 x 9.40mm Awning Track	0.228	100	5.0, 6.0
29-12003	30.28 x 12.72mm Awning Track	0.191	103	5.0, 6.0
29-12004	45.00 x 11.50mm Awning Track	0.299	138	5.0
29-12005	32.30 x 13.30mm Awning Track			5.0
29-12008	50.00 x 17.03mm Awning Track	0.561	160	5.0
29-12020	Awning Frame	0.385	126	6.0
29-12030	2 Way Awning Frame	0.711	220	6.0
29-12040	72mm Roller Tube	1.265	256	6.0

Finish - Mill finish
Grade - 6060 or 6063
Temper - T5

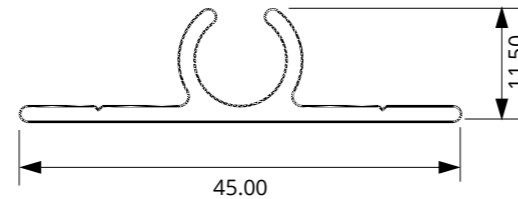
- Not all items will be available at all times - Please check with your local branch for current availability



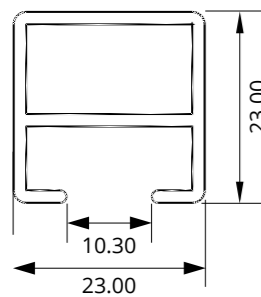
SECTION No. 29-12002
0.228 kg/m



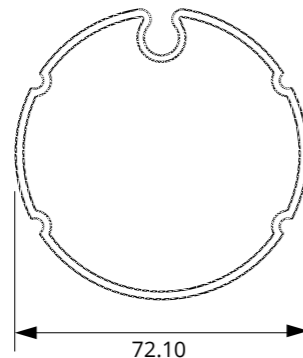
SECTION No. 29-12003
0.191 kg/m



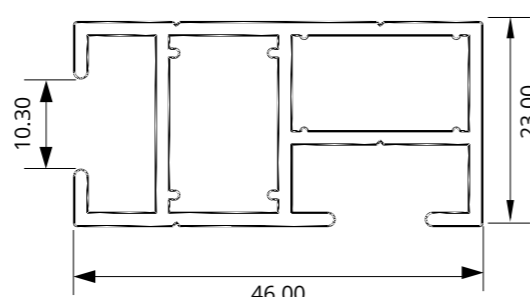
SECTION No. 29-12004
0.229 kg/m



SECTION No. 29-12020
0.385 kg/m



SECTION No. 29-12040
1.265 kg/m



SECTION No. 29-12030
0.711 kg/m

Scaffolding

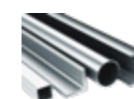
Order Code	Description	Mass (Kg/m)	Perimeter (mm)	Length (m)
19-10980	48.26 x 3.68mm Tube 6061 T6	1.396	152	5.0, 6.0
19-11000	48.40 x 2.60mm Tube 6061 T6	1.014	152	6.0
19-11020	48.40 x 4.47mm Tube 6061 T6	1.666	152	6.0
19-11040	50.00 x 2.00mm Tube 6061 T6	0.817	157	6.0

Finish - Mill finish
Grade - 6061
Temper - T6

- Not all items will be available at all times - Please check with your local branch for current availability

Manufactured to Order

We manufacture **Scaffold Trusses, Aluminium Staircases & Aluminium Ladders**, please enquire at your local branch



Fence & Gate

Order Code	Description	Mass (Kg/m)	Perimeter (mm)
16-10270 A	30 x 2mm Box Square Punch 1 Side	0.580	120
16-10270 B	30 x 2mm Box Square Punch 2 Side	0.580	120
16-10370 A	40 x 2mm Box Square Punch 1 Side	0.792	160
16-10370 B	40 x 2mm Box Square Punch 2 Side	0.792	160
16-10040	19 x 1.2mm Box Radius (for Square Punch)	0.243	100
16-10270 C	30 x 2mm Box Round Punch 1 Side	0.580	120
16-10270 D	30 x 2mm Box Round Punch 2 Side	0.580	120
16-10370 C	40 x 2mm Box Round Punch 1 Side	0.792	160
16-10370 D	40 x 2mm Box Round Punch 2 Side	0.792	160
19-10300	19.05 x 1.45mm Tube (for Round Punch)	0.216	100
16-10480 Rad	50 x 3mm Box 6061 T6	1.510	195
17-10500 Rad	80 x 50 x 3mm RHS 6061 T6	1.967	252
42-11704	14.8mm Tongue & Groove Slat	0.676	247
12-10380	18.70 x 18.00 x 1.65mm T&G Fixing Channel	0.288	100
17-10325	65 x 16 x 1.5mm RHS Fence Slat	0.627	159
17-10535	100 x 16 x 1.6mm RHS Fence Slat	0.974	227
12-10405	20 x 23 x 1.5mm Slat Fixing Channel	0.260	126
42-11701	20mm Fencing Tube with Screw Ports	0.196	100
42-11706	75 x 50mm Gate Insert Frame	1.600	243
42-11707	60 x 18mm Gate Roller Track	0.797	167
42-13301	50 x 2mm Box w/screw ports	1.273	195
42-15001	43.80 x 43.80 Joints/Spigot Channel	1.021	253
42-20010	90 x 12mm Aerofoil Louvre	0.793	185
42-20020	120 x 16mm Aerofoil Louvre	1.117	245
42-20040	150 x 30mm Aerofoil Louvre	1.954	311

Finish - Mill finish

Grade - 6060 or 6063 - Alternative grades may be available

Temper - T5 - Alternative temper's may be available

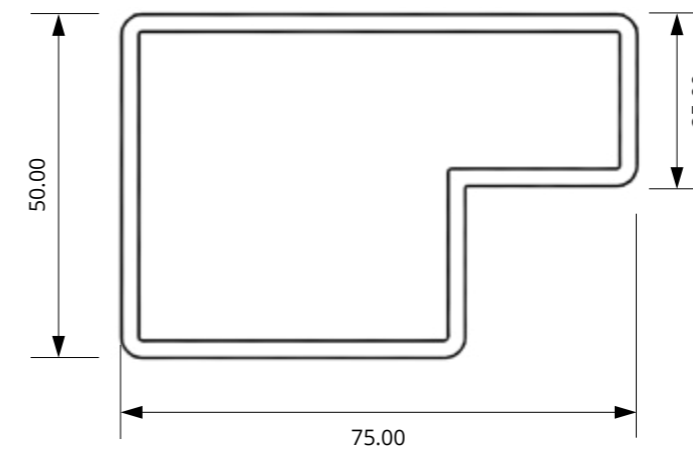
Length - Stocked in 5.0 and/or 6.0m - Alternative lengths may be available

Punched - Stocked in 2.4m lengths. Hole size 19.50mm round & square at 105mm centres

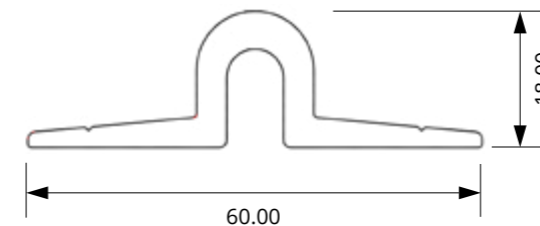
Note - Full range of round tubes & box sections to compliment your requirements - Please refer to geometric shapes sections

- Not all items will be available at all times - Please check with your local branch for current availability

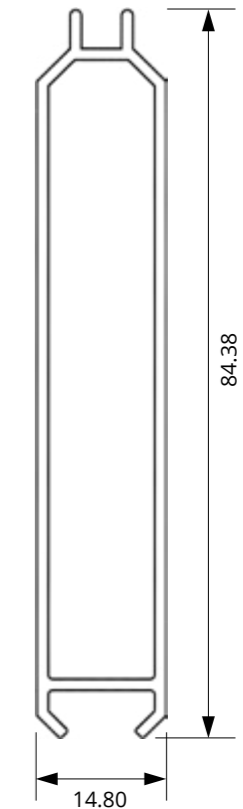
Fence & Gate



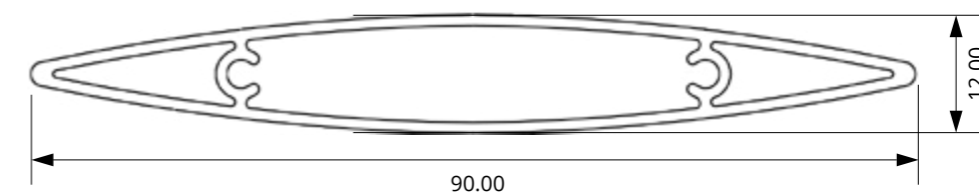
SECTION No. 42-11706
1.600 kg/m



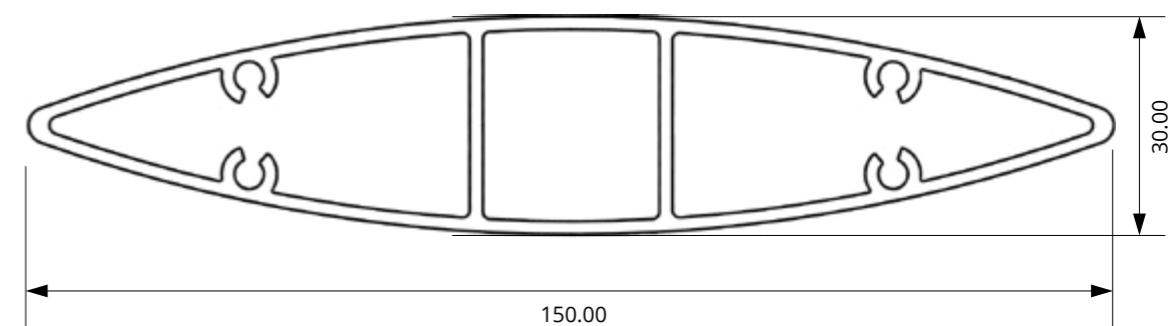
SECTION No. 42-11707
0.797 kg/m



SECTION No. 42-11704
0.676 kg/m



SECTION No. 42-20010
0.793 kg/m



SECTION No. 42-20040
1.954 kg/m

